

CONNECTORS FOR SUBSTRATES TYPE AC1, AP1, CC1, CC2

Type : KA1.*



Description

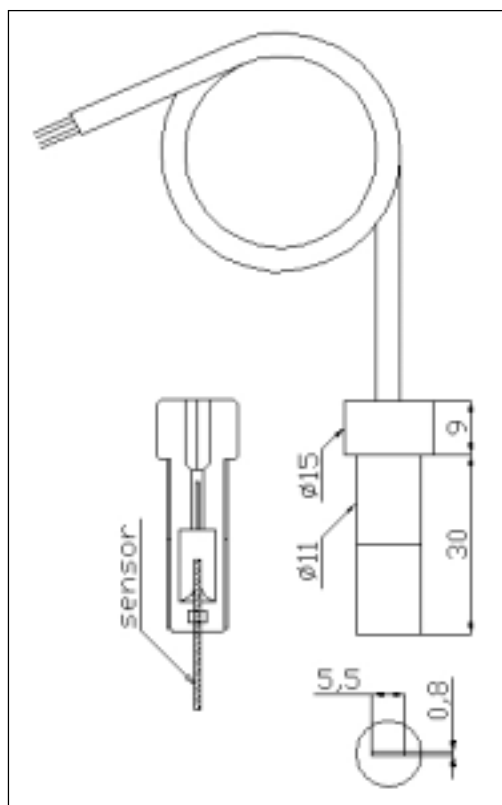
The connector enables the use of the biosensor based on the substrates AC1, AP1, CC1 and CC2 in classical electrochemical arrangement with stirred vessel. The cell TC1 is recommended for use with KA1.*

Physical Parameters

Model	Weight	Dimensions	
		Length	Diameter
Common to all connector models	35 gms	40 mm	11 mm

Types of termination

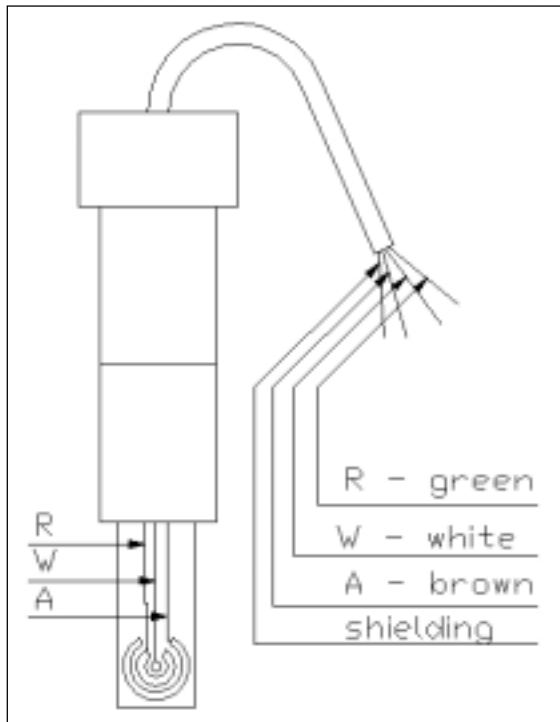
Model	Output	Termination
KA1.S	Three core Shilded cable	Single conductors
KA1.1	Three core Shilded cable	Banana plugs
KA1.2	Three core Shilded cable	7 poles BVT connector



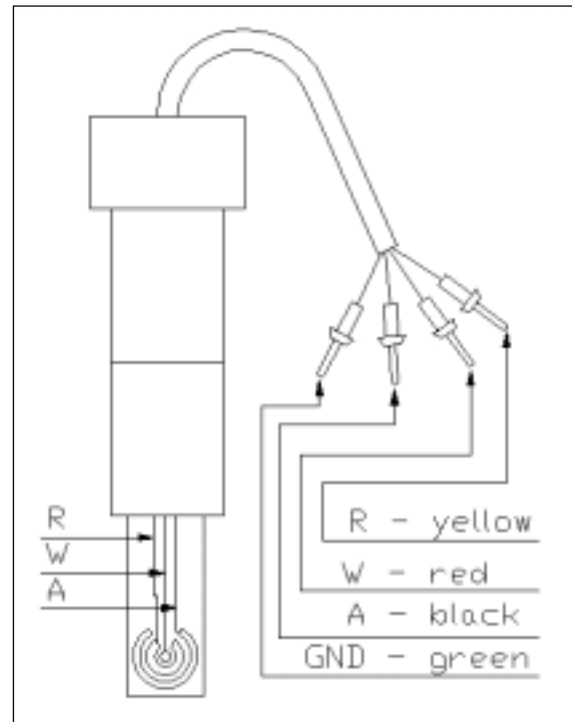
Sensor Type

	AC1.W*.R*	AP1.W*.R*	CC1.W*.R*	CC2.W*.R*
KA1.*	•	•	•	•

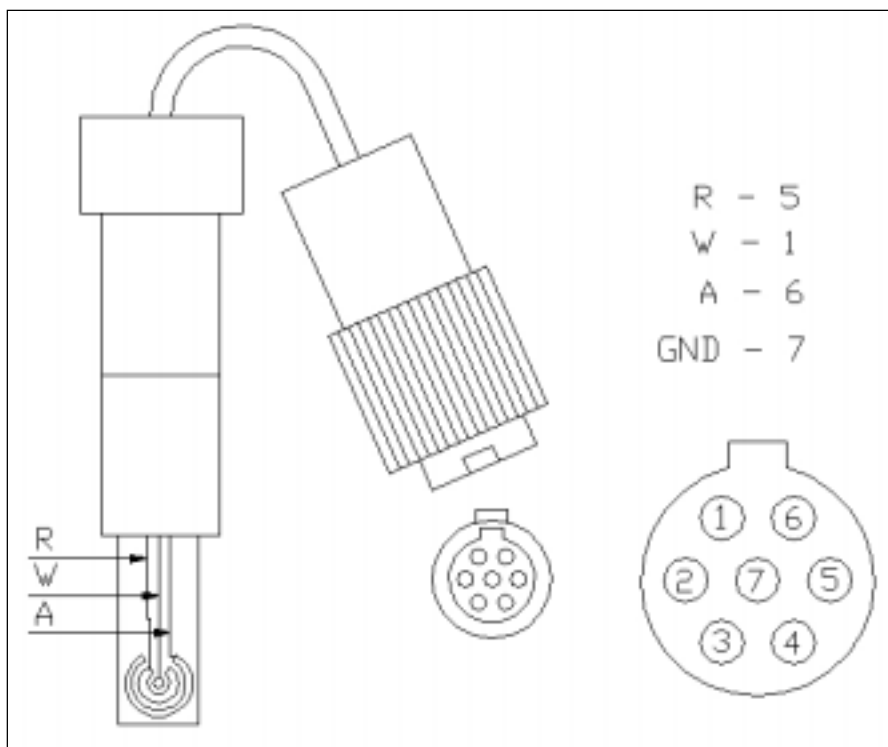
Internal Wiring



KA1.S



KA1.1



KA1.2

Evaluating Units

KA1.S	any device
KA1.1	any device
KA1.2	BA1, BA2

Recommended Vessel

- TC1

Ordering Information

- The order is specified by whole product code
- Minimum order quantity – 1 connector
- Delivery time for standard KA1 connector is 4 weeks from receipt of order
- Delivery time for non-standard KA1 connector depends on final technical specification of order

Example of Order:

- 5 pieces – KA1.S

Standard stock program is black, products available on special order are on shadowed background.