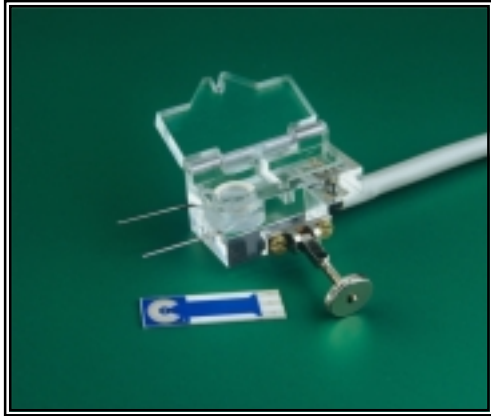


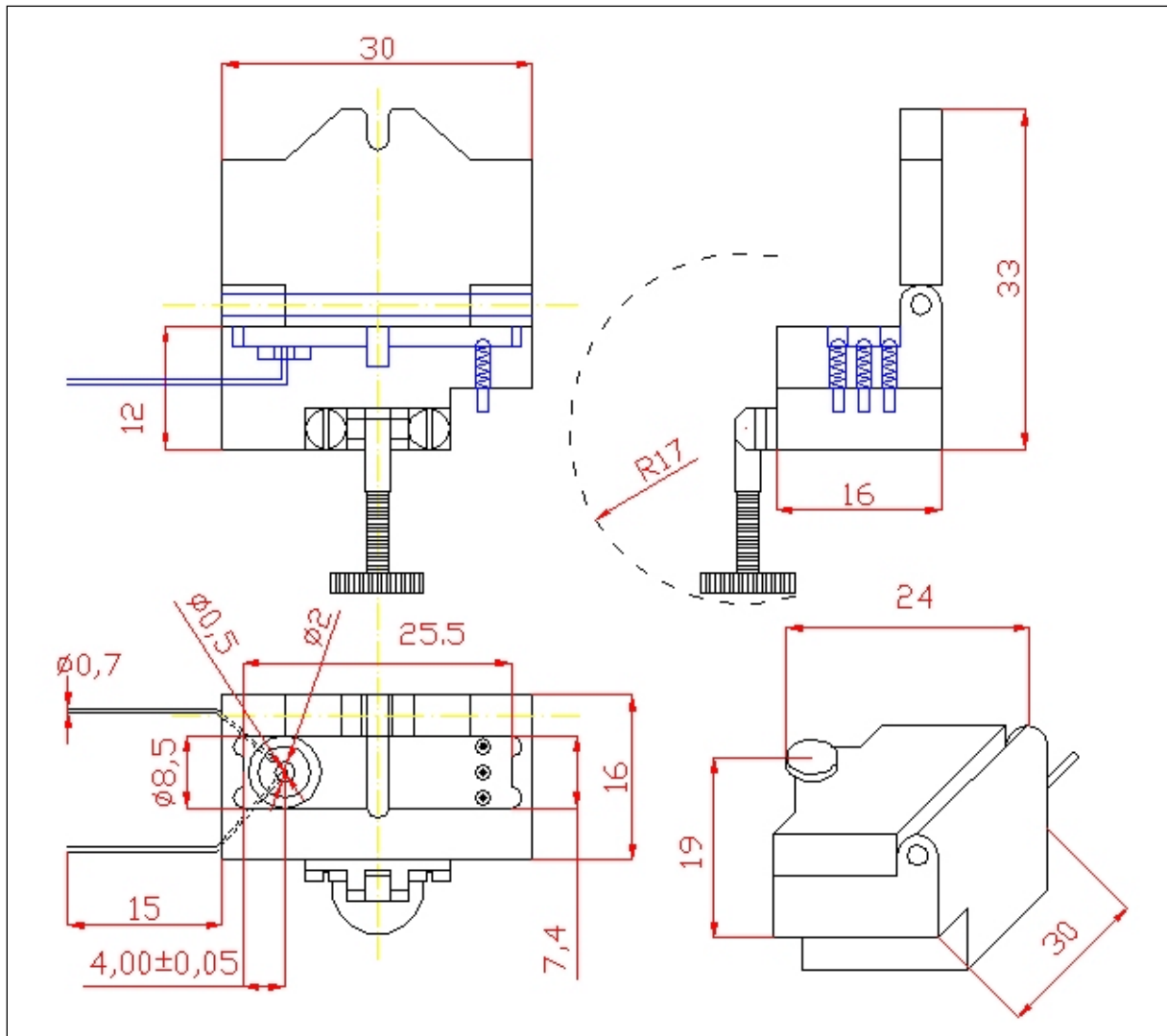
FLOW CELL

Type : FC2.*



Description

The flow cell enables the use of AC1, AP1, CC1 sensor in flow through arrangement. The sensor is inserted into the slit of cell and tightened by closing of the door. The cell assures the wall-jet flow around the working electrode. The cell contains also the contact and output cable.



Physical Parameters

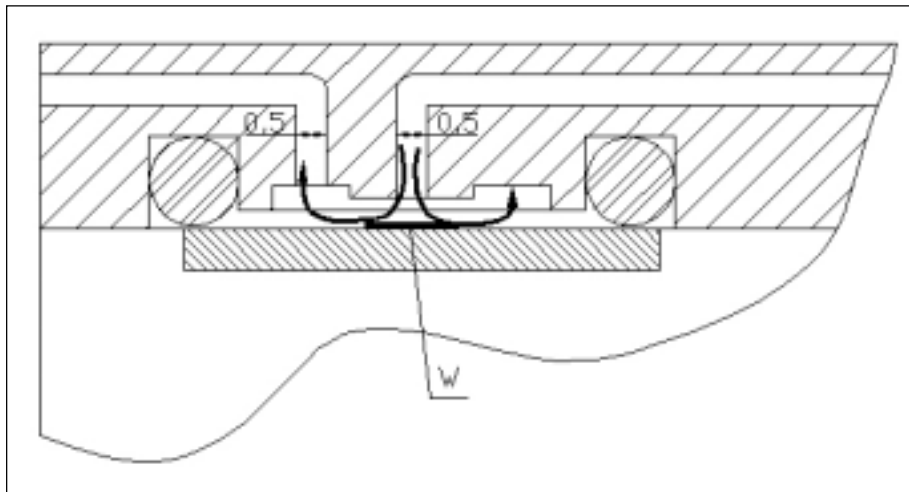
Dimensions		
Length	Width	Thickness
42 mm	24 mm	16 mm

Weight = 11 gms

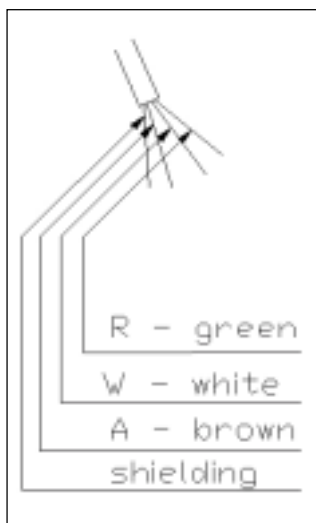
Cell Materials

- Polymethylmetacrylate

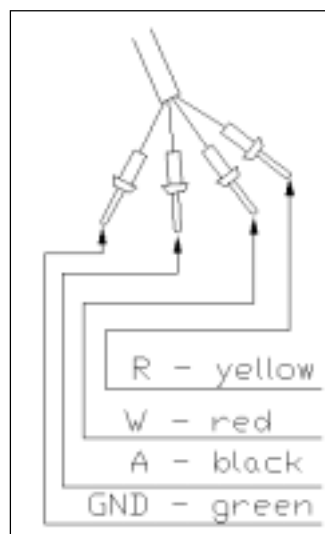
Flow Arrangement



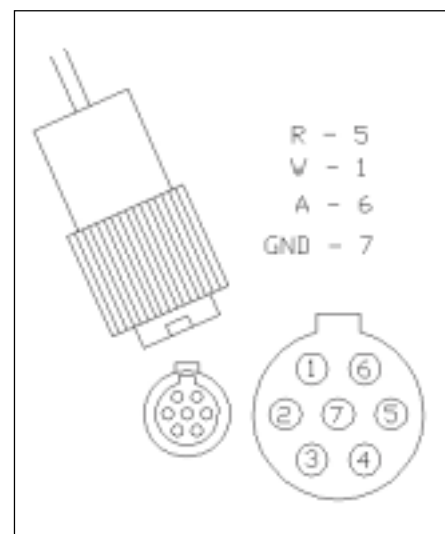
Standard Ends of Cables



FC2.S



FC2.1



FC2.2

Optional Equipment

Evaluating Units:

- BA1.* (FC2.2)
- BA2.* (FC2.2)
- Any device (FC2.S; FC2.1)

Experimental Accessories:

- Peristaltic Pump

Cell Usage

- Flow measurement
- Flow injection analysis

Software Packs

These are available for:

- Basic evaluation (BA1, BA2)

Ordering Information

- The order is specified by whole product code
- Minimum order quantity – 1 cell
- Delivery time for standard FC2 cell is 4 weeks from receipt of order
- Delivery time for non-standard FC2 cell depends on final technical specification of order

Example of Order:

- 10 pieces – FC2.1

Standard stock program is black, products available on special order are on shadowed background.