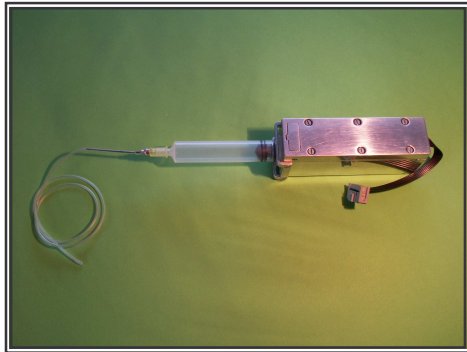


LINEAR PUMP

Type : LP.*

Description



The linear pump LP.* consists of miniature motor with digital encoder and planetary gear, which is in alluminium body of pump. The motor drives the screw which moves the piston in syringe in both direction. The pump is designed for extremely small applications such as medical or military applications. It can be used in hand-held devices. The main advantage is no pulzation and easy connection with syringe piston using magnet. The pump can operate with flow cells FC*.Linear Pump is delivered with optional manual piston holder.

Physical Parameters

Model	Dimensions		
	Length	Height	Width
LP.1	33 mm	175 mm	25 mm

Weight LP.1 = 220 g

Syringe volume = 5 ml

Additional Technical Parameters

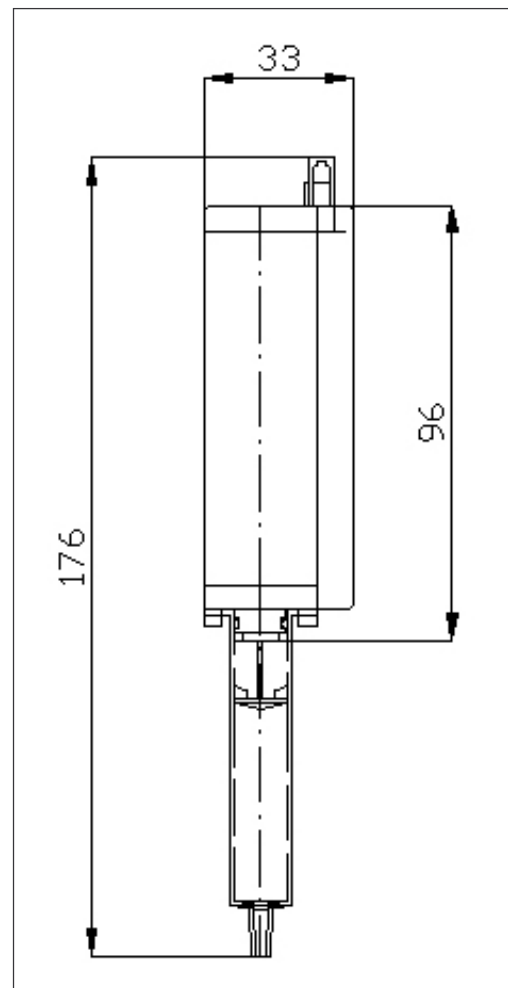
- Calibration curve
- PCB (LP.1)

Optional Equipment

- FC1
- FC2
- FC3

Device Usage

- Portable device
- Hand-held device
- Low power application

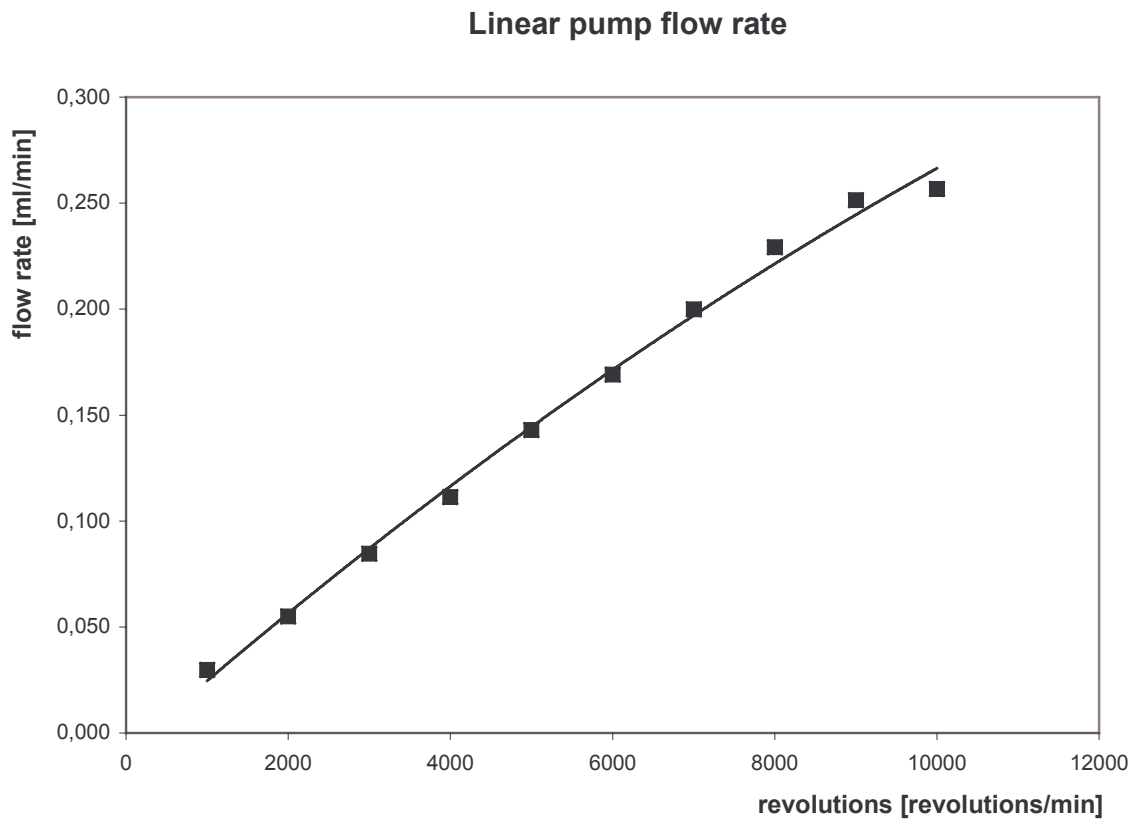


Software Packs

Control SW is available for:

- LP.1 (included in delivery)

Pump Calibration Curve



Revolution of motor	1000	2000	3000	4000	5000	6000	7000	8000	9000	10000
Flow rate [ml/min]	0,0298	0,0549	0,0846	0,1113	0,14302	0,1691	0,1998	0,2292	0,2514	0,2567

Ordering Information

- The order is specified by whole product code
- Minimum order quantity – 1 peristaltic pump
- Delivery time for standard LP.* is 4 weeks from receipt of order

Example of Order:

- 10 pieces – LP.S