

1K resistors in TX lines to limit current in case 2 TX lines drive against each other.

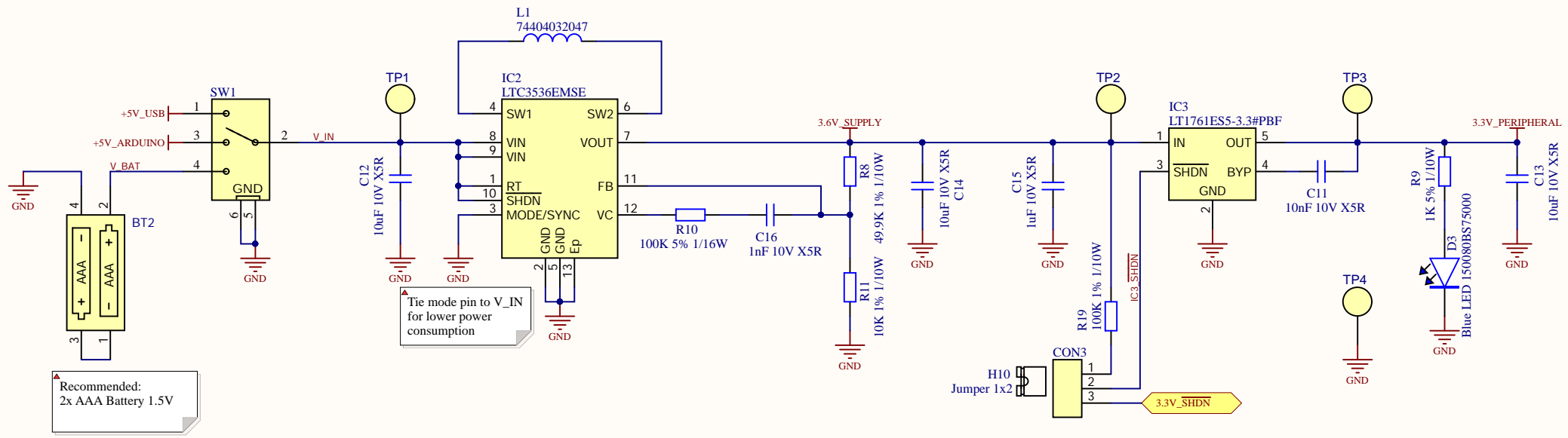
Close SW2 to use MKR as I2C master.

All switch inputs to the EmStat Pico are pulled up to 3.3V on the module.

Optional stability cap

Optional stability cap

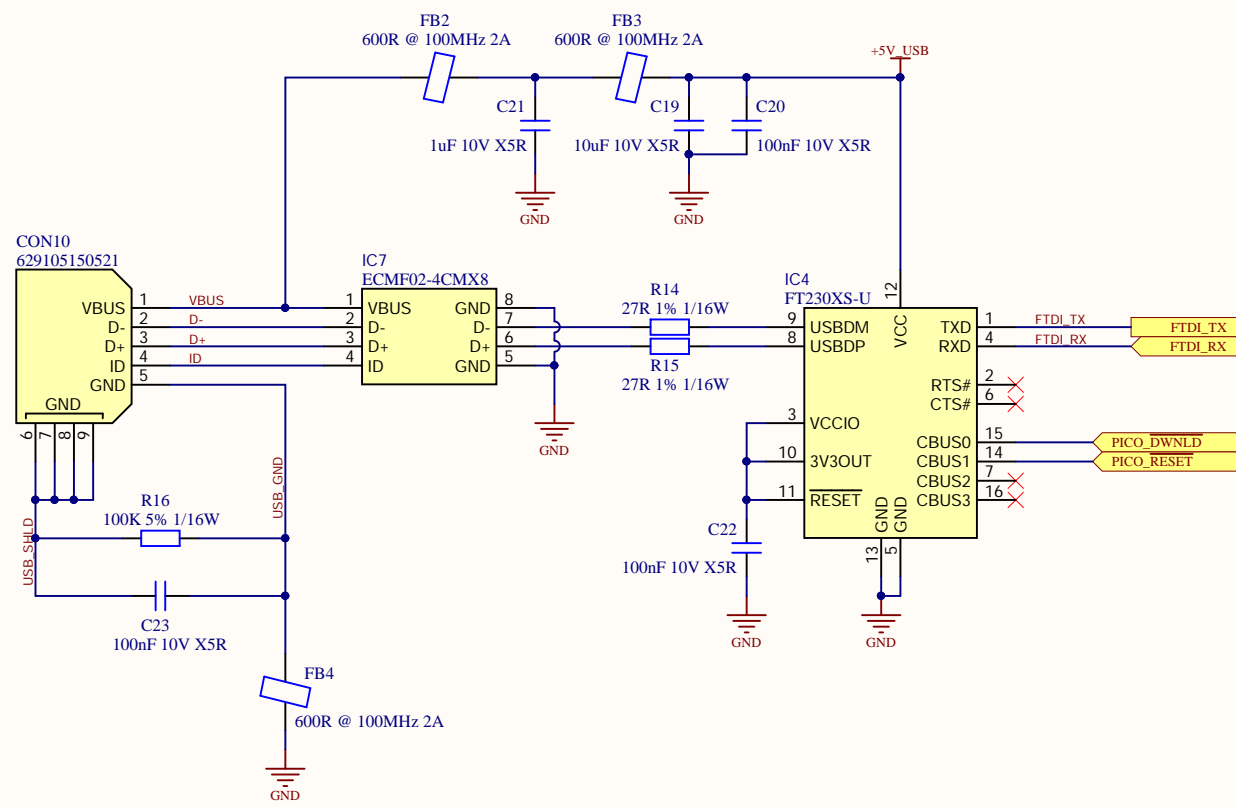
Power



Recommended:
2x AAA Battery 1.5V

Tie mode pin to V_IN
for lower power
consumption

USB FTDI

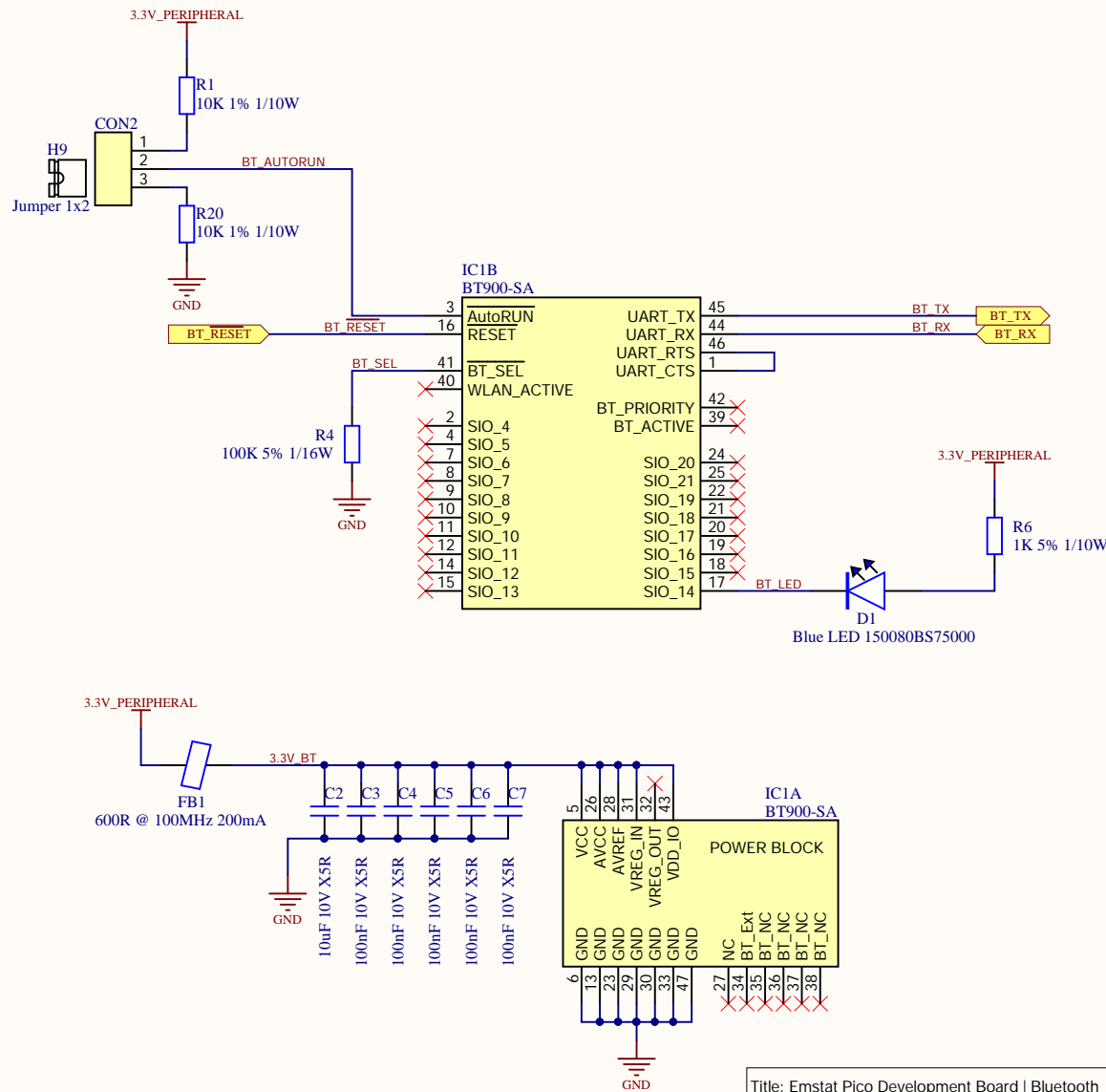


Title: Emstat Pico Development Board USB FTDI	
Size: A4	Revision: 3-2019-001
Date: 28/02/2019	Sheet 3 of 7

PalmSens BV
 Randhoeve 221
 3995 GA Houten
 Netherlands



Bluetooth



Title: Emstat Pico Development Board | Bluetooth

Size: A4 Revision: 3-2019-001

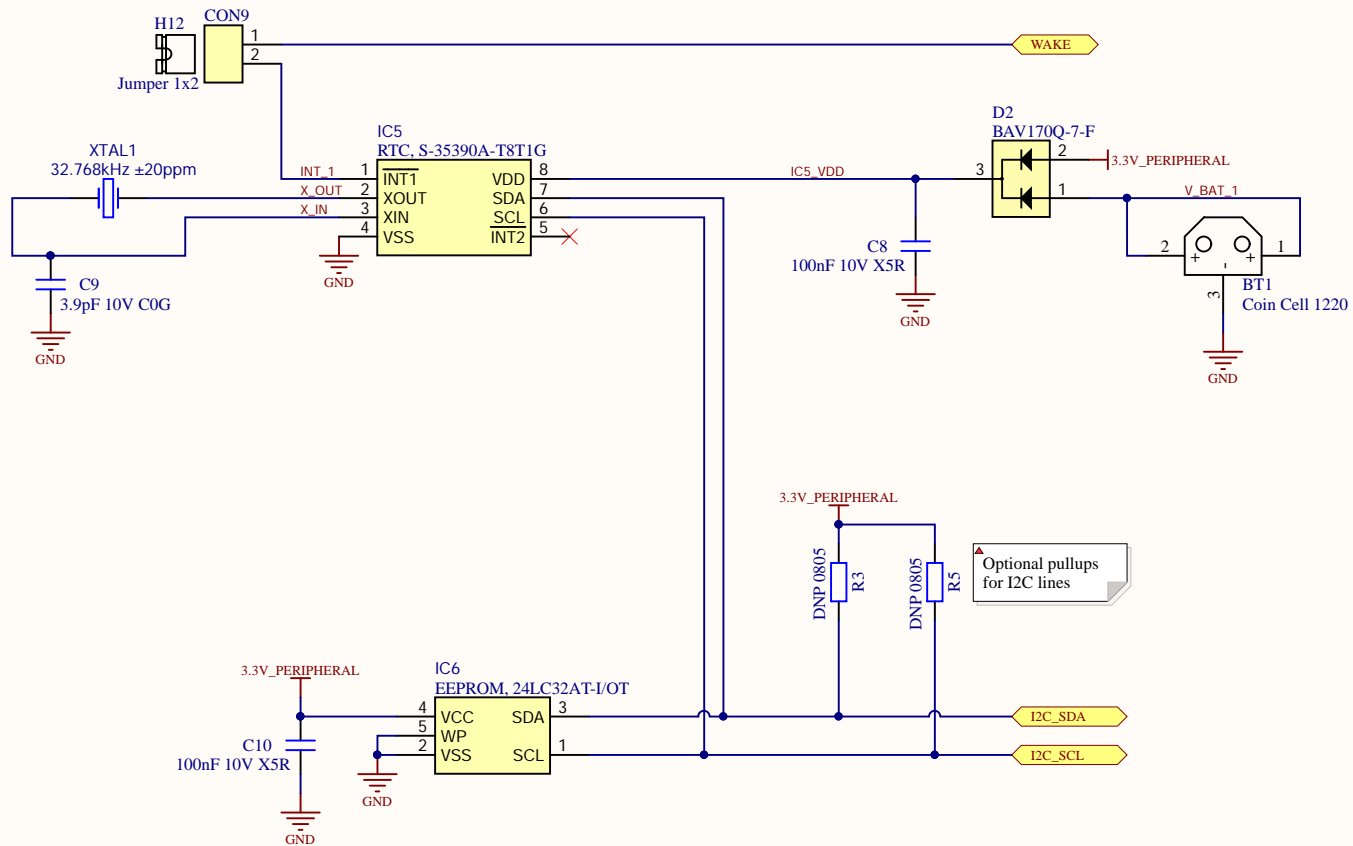
Date: 28/02/2019

Sheet 4 of 7

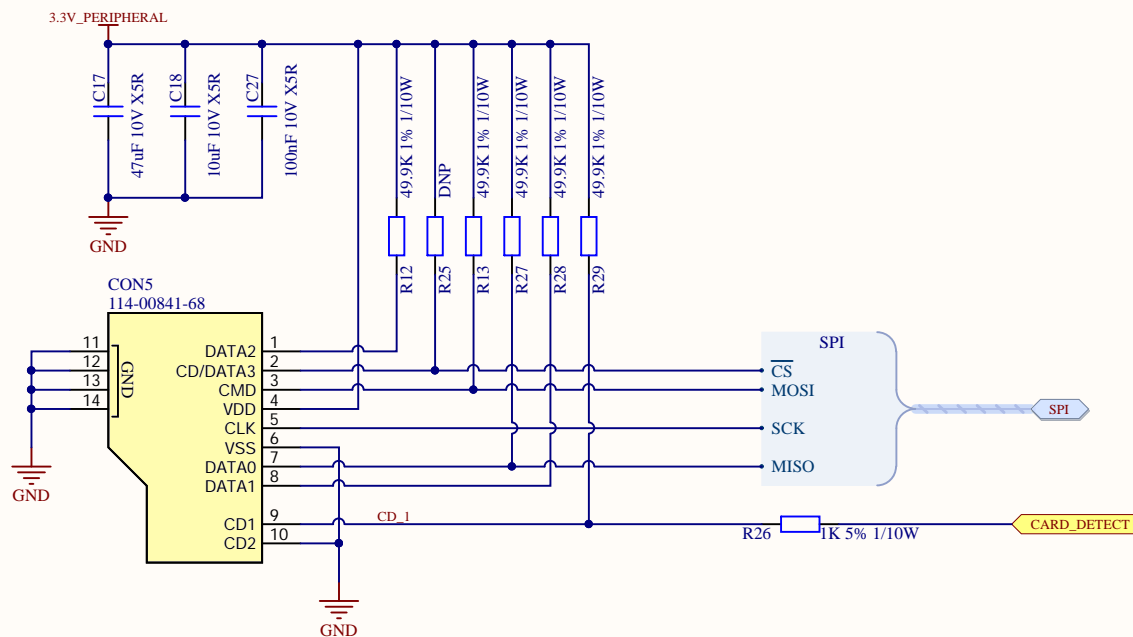
PalmSens BV
 Randhoeve 221
 3995 GA Houten
 Netherlands



I2C Peripherals



SD-Card



Title: Emstat Pico Development Board | SD-Card

Size: A4 Revision: 3-2019-001

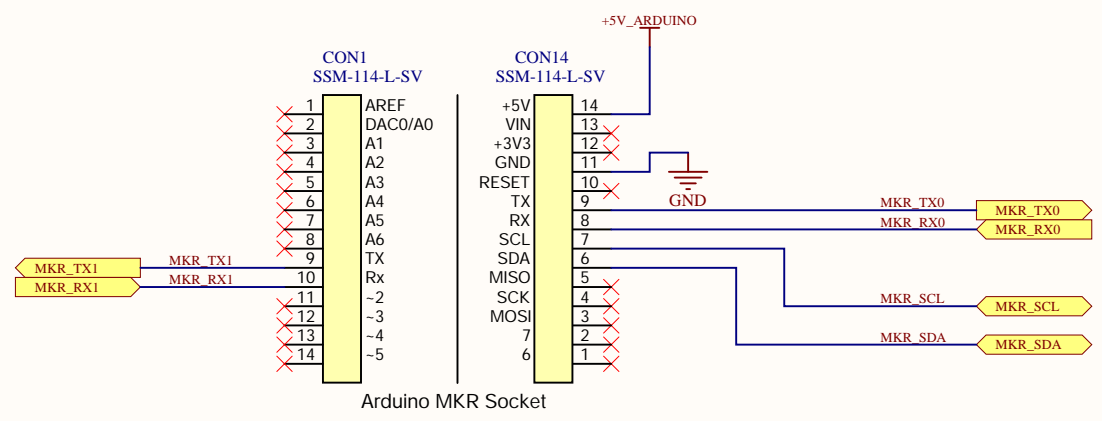
Date: 28/02/2019

Sheet 6 of 7

PalmSens BV
 Randhoeve 221
 3995 GA Houten
 Netherlands



Arduino MKR



Title: Emstat Pico Development Board Arduino MKR		PalmSens BV Randhoeve 221 3995 GA Houten Netherlands	
Size: A4	Revision: 3-2019-001		
Date: 28/02/2019	Sheet 7 of 7		
Document Revision History			
Date	Revision	Description	
28/02/2019	Rev.3-2019-001	First published.	