

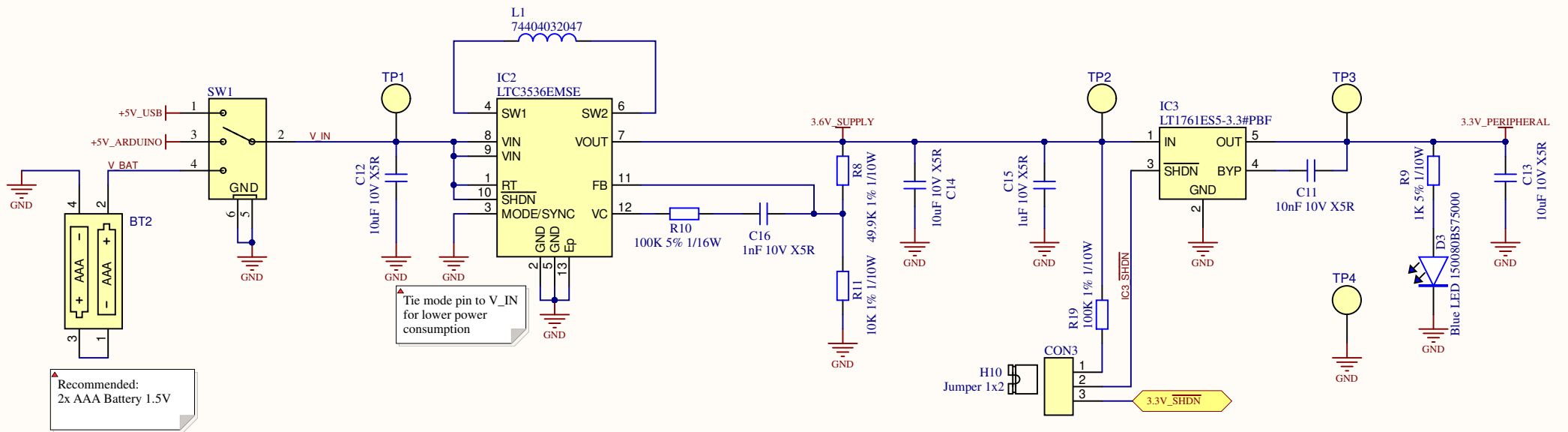
1K resistors in TX lines to limit current in case 2 TX lines drive against each other.

Close SW2 to use MKR as I2C master.

All switch inputs to the EmStat Pico are pulled up to 3.3V on the module.



Power



Title: Emstat Pico Development Board | Power

Size: A4 Revision: 3-2019-001

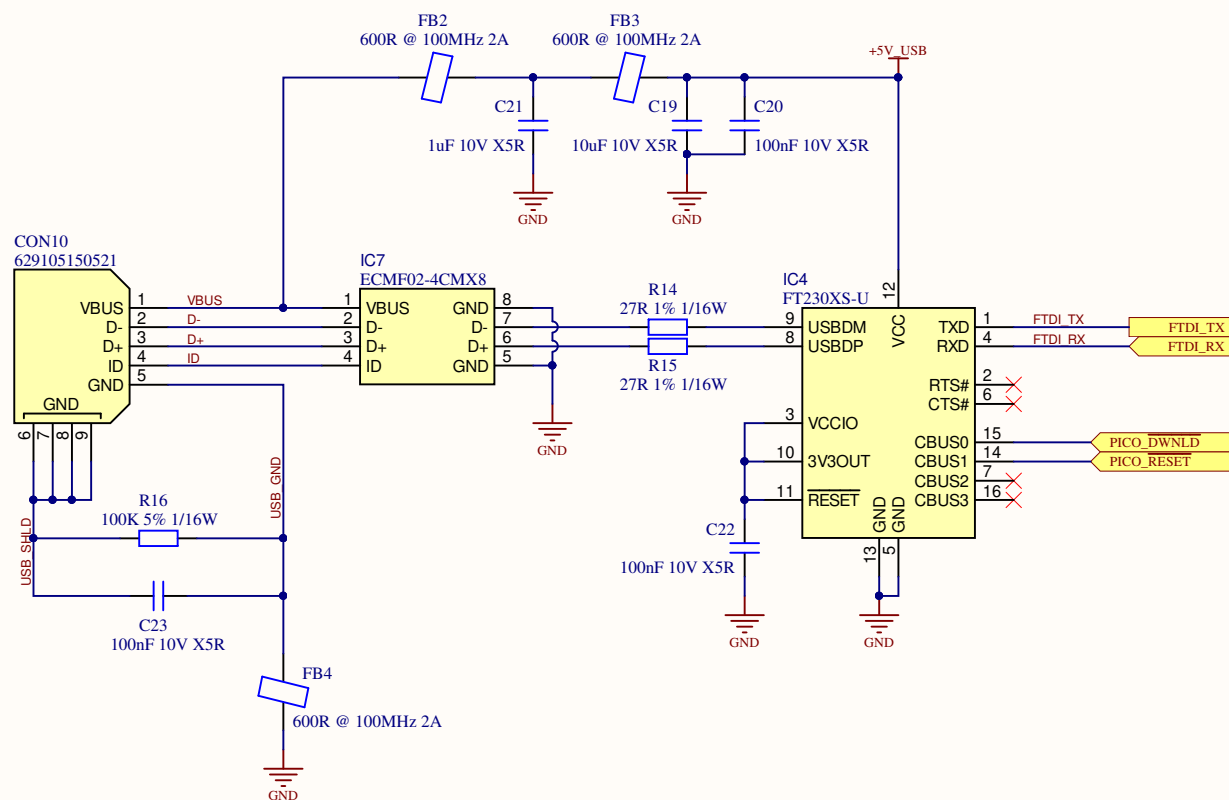
Date: 28/02/2019

Sheet 2 of 7

PalmSens BV
Randhoeve 221
3995 GA Houten
Netherlands



USB FTDI



Title: Emstat Pico Development Board | USB FTDI

Size: A4 Revision: 3-2019-001

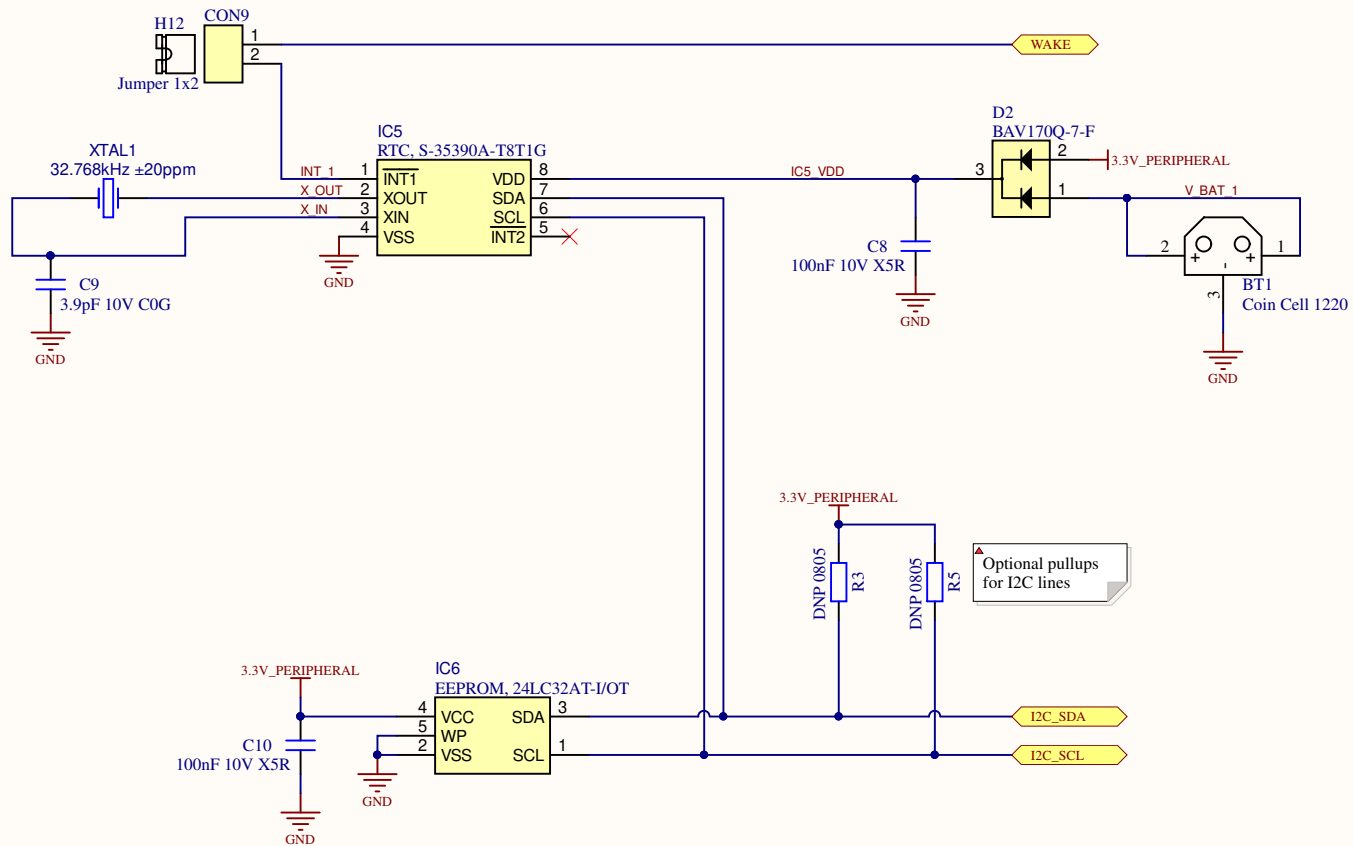
Date: 28/02/2019

Sheet 3 of 7

PalmSens BV
Randhoeve 221
3995 GA Houten
Netherlands



I2C Peripherals



Title: Emstat Pico Development Board | I2C Peripherals

Size: A4 Revision: 3-2019-001

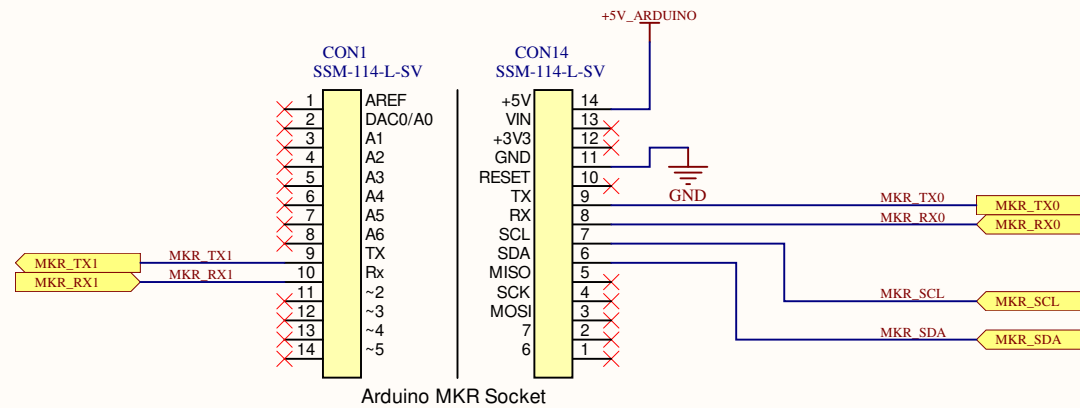
Date: 28/02/2019


Sheet 5 of 7

PalmSens BV
 Randhoeve 221
 3995 GA Houten
 Netherlands



Arduino MKR



Title: Emstat Pico Development Board Arduino MKR		PalmSens BV Randhoeve 221 3995 GA Houten Netherlands	
Size: A4	Revision: 3-2019-001		
Date: 28/02/2019	Sheet 7 of 7		
Document Revision History			
Date	Revision	Description	
28/02/2019	Rev.3-2019-001	First published.	